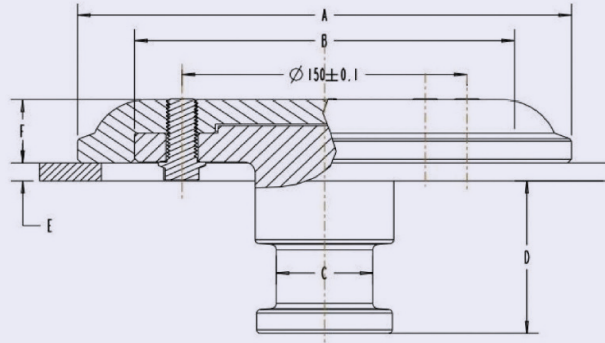
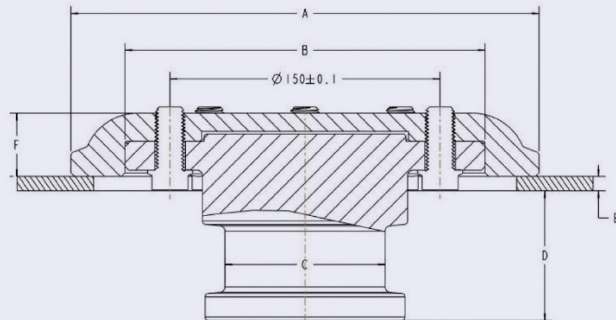
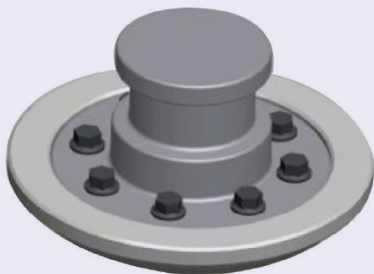




Max Semi Trailer Kingpin Catalogue



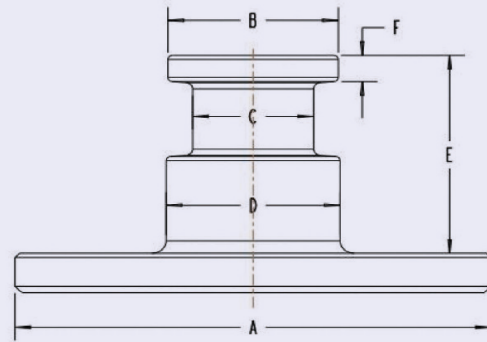
Model	D-Value	A(mm)	B(mm)	C(mm)	D(mm)	E(mm)	F(mm)
MAX/KP/2/B/001	162	260	200	50.8	84	8	37
MAX/KP/2/B/002	162	260	200	50.8	84	20	35
MAX/KP/2/B/003	162	260	200	50.8	84	12	33
MAX/KP/2/B/004	162	260	200	50.8	84	14	33
MAX/KP/2/B/005	168	260	200	50.8	84	16	35



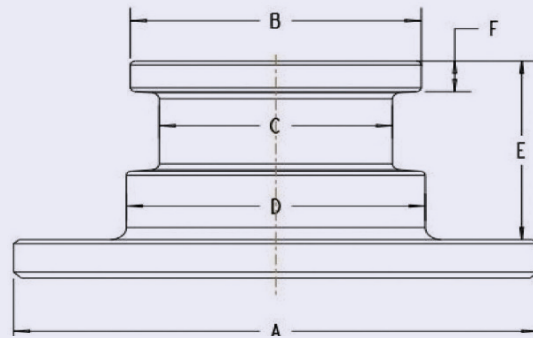
Model	D-Value	A(mm)	B(mm)	C(mm)	D(mm)	E(mm)	F(mm)
MAX/KP/35/B/001	162	260	200	89	74	8	37
MAX/KP/35/B/002	162	260	200	89	74	10	35
MAX/KP/35/B/003	162	260	200	89	74	12	33
MAX/KP/35/B/004	162	260	200	89	74	14	33



Max Semi Trailer Kingpin Catalogue



Model	D-Value	A(mm)	B(mm)	C(mm)	D(mm)	E(mm)	F(mm)	Plate Thickness(mm)
MAX/KP/2/W/001	108	200	71.5	50.8	73	92	12.5	8
MAX/KP/2/W/002	108	200	71.5	50.8	73	94	12.5	10
MAX/KP/2/W/003	108	200	71.5	50.8	73	96	12.5	12



Model	D-Value	A(mm)	B(mm)	C(mm)	D(mm)	E(mm)	F(mm)	Plate Thickness(mm)
MAX/KP/35/W/001	210	200	111	89	114	86	15	12
MAX/KP/35/W/002	210	200	111	89	114	88	15	14
MAX/KP/35/W/003	210	200	111	89	114	90	15	16
MAX/KP/35/W/004	210	200	111	89	114	84	15	10
MAX/KP/35/W/005	210	200	111	89	114	82	15	8