



Lonely Lion

Model	Static Load Capacity (ton per pair)	Lifting Capacity (ton per pair)	Ratio Gear (mm/r)	Travel Max (mm)	Standard Weight (Kg per single)
MAX/LG/2T/001	3	2	2.25	706	12

Model	Static Load Capacity (ton per pair)	Lifting Capacity (ton per pair)	Ratio Gear (mm/r)	Travel Max (mm)	Standard Weight (Kg per single)
MAX/LG/5T/001	8	5	2.86	650	18

Model	Static Load Capacity (ton per pair)	Lifting Capacity (ton per pair)	Ratio Gear (mm/r)	Travel Max (mm)	Standard Weight (Kg per single)
MAX/LG/5T/001	8	5	2.86	650	18

Model	Static Load Capacity (ton per pair)	Lifting Capacity (ton per pair)	High Gear (mm/r)	Low Gear (mm/r)	Travel Max (mm)	Assembly Height (mm)	Standard Weight (kg per pair)	Crank Force (kg)
MAX/LG/22T/001	60	22	6	0.79	430	790	88	20
MAX/LG/28T/001	80	28	5.42	0.72	480	852	106	25

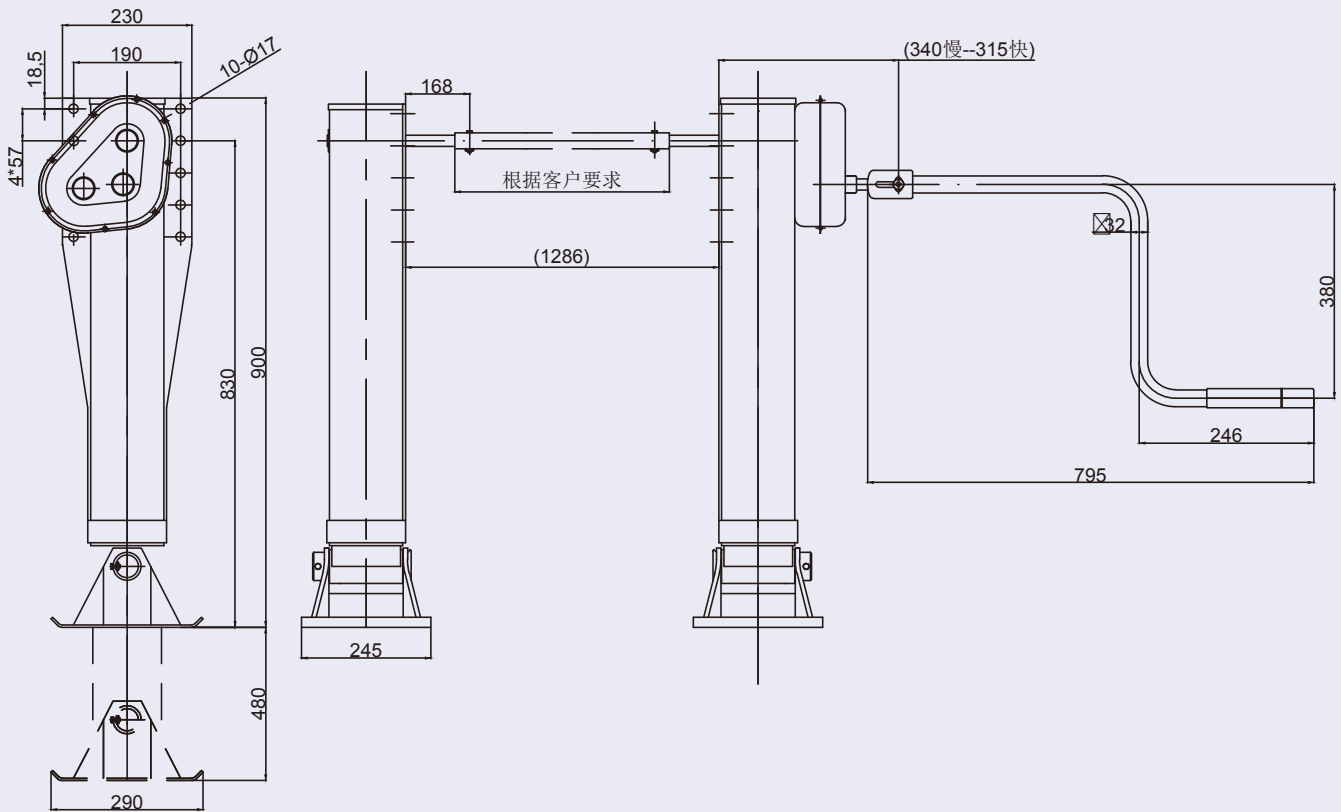
Model	Static Load Capacity (ton per pair)	Lifting Capacity (ton per pair)	High Gear (mm/r)	Low Gear (mm/r)	Travel Max (mm)	Assembly Height (mm)	Standard Weight (kg per pair)	Crank Force (kg)
MAX/LG/28T/002	80	28	8.92	1	480	867	106	35

Model	Static Load Capacity (ton per pair)	Lifting Capacity (ton per pair)	High Gear (mm/r)	Low Gear (mm/r)	Travel Max (mm)	Assembly Height (mm)	Standard Weight (kg per pair)	Crank Force (kg)
MAX/LG/28T/003	80	28	11.25	1	480	850	112	35

Model	Static Load Capacity (ton per pair)	Lifting Capacity (ton per pair)	High Gear (mm/r)	Low Gear (mm/r)	Travel Max (mm)	Assembly Height (mm)	Standard Weight (kg per pair)	Crank Force (kg)
MAX/LG/28T/004	80	28	11.25	1	480	850	110	35



Lonely Lion



Model	Static Load Capacity (ton per pair)	Lifting Capacity (ton per pair)	High Gear (mm/r)	Low Gear (mm/r)	Travel Max (mm)	Assembly Height (mm)	Standard Weight (kg per pair)	Crank Force (kg)
MAX/LG/25T/001	80	25	4.33	0.57	355	715	90	20
MAX/LG/25T/002	80	25	4.33	0.57	430	790	96	20
MAX/LG/25T/003	80	25	4.33	0.57	480	840	100	20
MAX/LG/28T/005	80	28	5.42	0.72	355	715	90	25
MAX/LG/28T/006	80	28	5.42	0.72	430	790	96	25
MAX/LG/28T/007	80	28	5.42	0.72	480	840	100	25
MAX/LG/35T/001	80	35	5.42	0.72	355	715	101	31
MAX/LG/35T/002	80	35	5.42	0.72	430	790	107	31
MAX/LG/35T/003	80	35	5.42	0.72	480	840	111	31



Lonely Lion

Model	Static Load Capacity (ton per pair)	Lifting Capacity (ton per pair)	High Gear (mm/r)	Low Gear (mm/r)	Travel Max (mm)	Assembly Height (mm)	Standard Weight (kg per pair)	Crank Force (kg)
MAX/LG/24T/001	50	24	6	0.79	480	833	88	22

Model	Static Load Capacity (ton per pair)	Lifting Capacity (ton per pair)	High Gear (mm/r)	Low Gear (mm/r)	Travel Max (mm)	Assembly Height (mm)	Standard Weight (kg per pair)	Crank Force (kg)
MAX/LG/28T/011	80	28	5.42	0.72	480	852	103	25

Model	Static Load Capacity (ton per pair)	Lifting Capacity (ton per pair)	High Gear (mm/r)	Low Gear (mm/r)	Travel Max (mm)	Assembly Height (mm)	Standard Weight (kg per pair)	Crank Force (kg)
MAX/LG/28T/011	80	28	5.42	0.72	480	852	103	25

Model	Static Load Capacity (ton per pair)	Lifting Capacity (ton per pair)	High Gear (mm/r)	Low Gear (mm/r)	Travel Max (mm)	Assembly Height (mm)	Standard Weight (kg per pair)	Crank Force (kg)
MAX/LG/16T/011	30	16	6	0.79	480	830	89	18

Model	Static Load Capacity (ton per pair)	Lifting Capacity (ton per pair)	High Gear (mm/r)	Low Gear (mm/r)	Travel Max (mm)	Assembly Height (mm)	Standard Weight (kg per pair)	Crank Force (kg)
MAX/LG/28T/012	60	28	5.42	0.72	480	845	103	25

Model	Static Load Capacity (ton per pair)	Lifting Capacity (ton per pair)	High Gear (mm/r)	Low Gear (mm/r)	Travel Max (mm)	Assembly Height (mm)	Standard Weight (kg per pair)	Crank Force (kg)
MAX/LG/16T/002	30	16	6	1.1	480	818	84	24

Model	Static Load Capacity (ton per pair)	Lifting Capacity (ton per pair)	High Gear (mm/r)	Low Gear (mm/r)	Travel Max (mm)	Assembly Height (mm)	Standard Weight (kg per pair)	Crank Force (kg)
MAX/LG/25T/007	60	25	6	0.67	410	696	89	22
MAX/LG/25T/008	60	25	6	0.67	480	766	93.5	22

Model	Static Load Capacity (ton per pair)	Lifting Capacity (ton per pair)	High Gear (mm/r)	Low Gear (mm/r)	Travel Max (mm)	Assembly Height (mm)	Standard Weight (kg per pair)	Crank Force (kg)
MAX/LG/35T/004	80	35	5.42	0.72	335	736	106	24
MAX/LG/35T/005	80	35	5.42	0.72	430	811	112	24
MAX/LG/35T/006	80	35	5.42	0.72	480	861	116	24

Model	Static Load Capacity (ton per pair)	Lifting Capacity (ton per pair)	High Gear (mm/r)	Low Gear (mm/r)	Travel Max (mm)	Assembly Height (mm)
MAX/LG/28T/E/001	80	28	0.794	0.0882	480	840